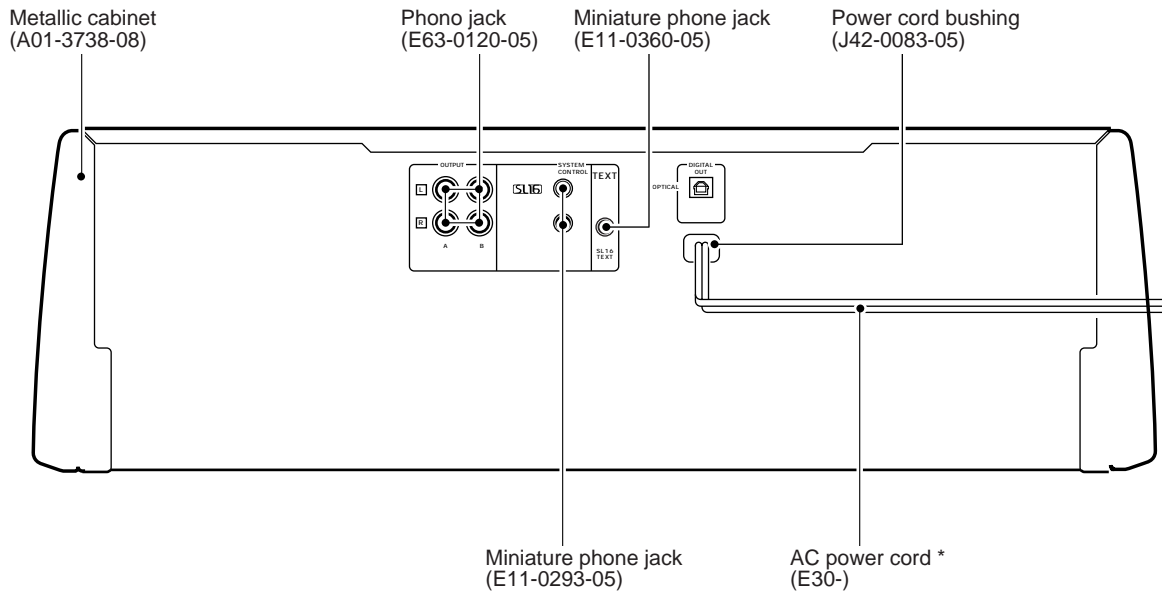
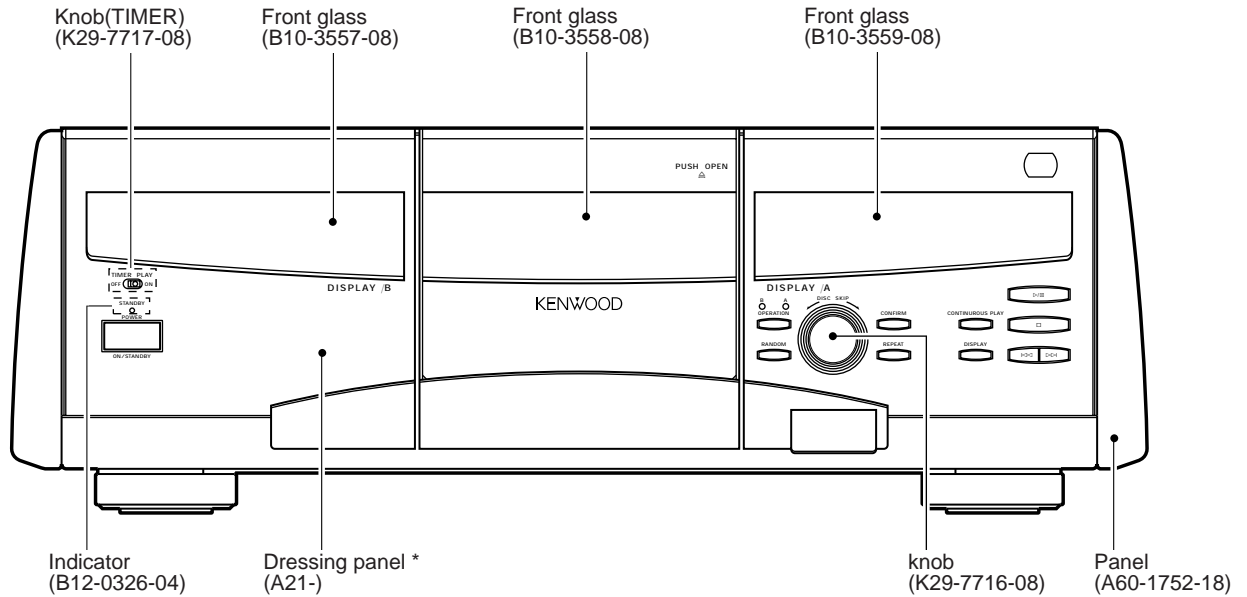


CD-4900M/DPF-J9030

SERVICE MANUAL



* Refer to parts list on page 26.

In compliance with Federal Regulations, following are reproductions of labels on, or inside the product relating to laser product safety.

KENWOOD-Crop. certifies this equipment conforms to DHHS Regulations No. 21 DFR 1040. 10, Chapter 1, Subchapter J.

DANGER : Laser radiation when open and interlock defeated.
AVOID DIRECT EXPOSURE TO BEAM

- Please refer to the service manual **CD-223M/DPF-J3010/CD-224M/DPF-J5010 (B51-5409-00)** if need more information.
- Refer to CD-2260M/2280M/DPF-J7010/J9010 service manual (B51-5416-00), if you require sub microprocessor (IC3: X25) in detail.



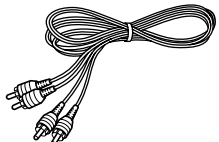
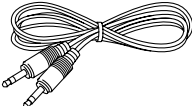
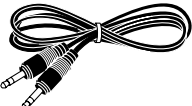
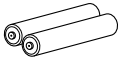
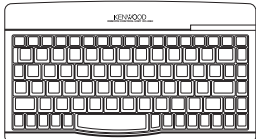
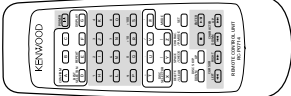
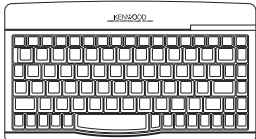
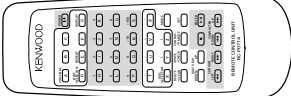
CD-4900M/DPF-J9030

CONTENTS / ACCESSORIES / CAUTIONS

Contents

CONTENTS / ACCESSORIES / CAUTIONS	2	SCHEMATIC DIAGRAM	13
CIRCUIT DESCRIPTION	3	EXPLODED VIEW	24
ADJUSTMENT	8	PARTS LIST	26
PC BOARD	9	SPECIFICATIONS	Back cover

Accessories

Audio cord (2) (E30-0505-05) 	System control cord (1) (E30-2816-05) 	Communication cord (1) (E30-2861-05) 	Batteries (R6/AA) (2) 
Remote control units (2) (A70-1326-05): RC-KB2 	(A70-1335-18): RC-P0713 		
Battery cover (A09-1176-08) 	Battery cover (A09-0374-08) 		

Cautions

Operation to reset

The microcomputer may malfunction (impossibility to operate, erroneous display, etc.) when the connection cords are unplugged while power is ON or due to an external factor. In this case, execute the following method to reset the microcomputer and return it to normal condition.

Unplug the power cord from the power socket and plug the power cord into the socket again.

To reset the registered contents

The registered contents for title, music type, user file and best selection can be reset by the following procedure.

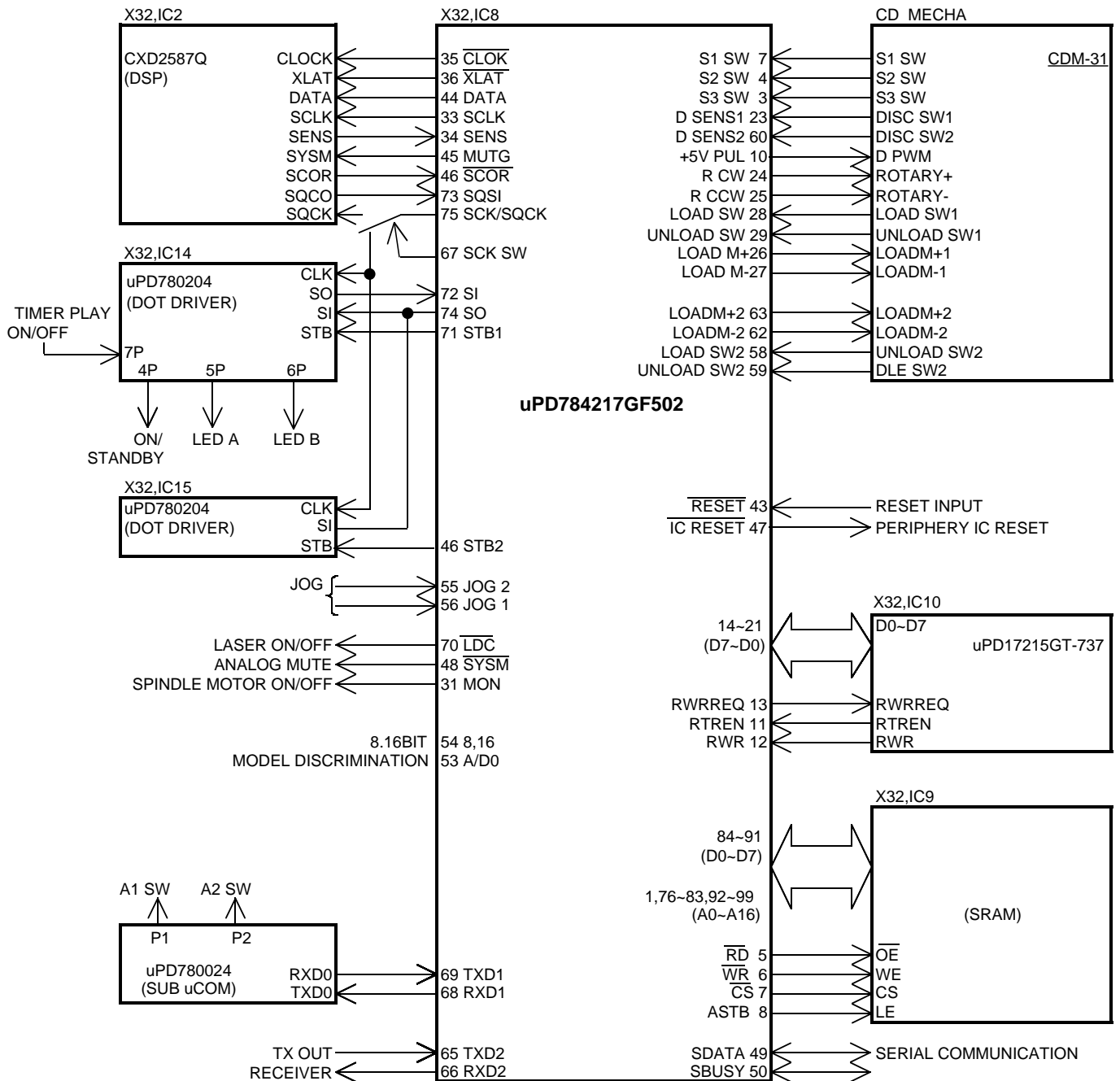
Unplug the power cord from the power socket, and while holding the ■ key depressed, plug the power cord into the socket again.

CD-4900M/DPF-J9030

CIRCUIT DESCRIPTION

1. Main microprocessor : uPD784217GF502 (X32, IC8)

1-1 Microprocessor periphery block diagram



CD-4900M/DPF-J9030

CIRCUIT DESCRIPTION

1-2 Microprocessor pin description (X32, IC8): UPD784217GF502

Pin No.	Pin Name	I/O	Description
1	A2	O	Address bus of SRAM.
2	NC	-	No connection.
3	S3-SW	I	Mechanism address detector switch.
4	S2-SW	I	Mechanism address detector switch.
5	RD	O	SRAM read strobe.
6	WR	O	SRAM write strobe
7	S1-SW	I	Mechanism address detector switch.
8	ASTB	O	No connection.
9	VDD	-	Power supply(+5V).
10	+5VPUL	O	Disc sensor ON/OFF. L:on
11	RTRN	I	TX permission data to remote control microprocessor.
12	RWR	I	Reading data of remote control microprocessor.
13	RWRR	O	TX request data to remote control microprocessor.
14~21	L-D7-D0	O	Data output to remote control microprocessor.
22	TEST	-	GND.
23	DISC-SW	I	Disc sensor.
24	ROTARY-CW	O	Mechanism rotary motor(+). H:CCW
25	ROTRAY-CCW	O	Mechanism rotary motor(-). H:CW
26	LOADM+1	O	Loading motor(+) for main pickup.
27	LOADM-1	O	Loading motor(-) for main pickup.
28	LOAD-SW1	I	Loading switch for main pickup.
29	UNLOAD-SW1	I	Unloading switch for main pickup.
30	CS	O	Chip selector
31	MON	O	Control port of poor focus works.
32	SCLK	O	Sens serial data read clock.
33	SENS	I	SENS signal input.
34	CLOCK	O	Serial data clock.
35	XLAT	O	CXD2587Q latch. H → L:latch
36	DATA	O	Serial data output.
37	VDD	-	Power supply(+5V).
38,39	X1,2	-	Main system clock(12.5MHz).
40	VSS	-	GND.
41	XT2	-	No connection.
42	XT1	I	GND.
43	RESET	I	System reset signal input.
44	SCOR	I	Sub code synchro detection.
45	MUTEG	O	Muting control output. H:muting on.
46	STB2	O	Strobe signal output to dot driver.
47	ICRESET	O	IC reset.
48	SYSM	O	Analog muting. L: Muting on.
49	SDATA	I/O	Serial data signal I/O.
50	SBUSY	I/O	Serial busy signal I/O.
51	AVDD	-	Power supply(+5V).
52	AVREF	-	A/D reference power supply.
53	A/D0	I	Model discrimination.
54	8/16	I	8/16 bit selector. H:16bit.
55	JOG2	I	Encoder signal A input.

CD-4900M/DPF-J9030

CIRCUIT DESCRIPTION

Pin No.	Pin Name	I/O	Description
56	JOG1	I	Encoder signal B input.
57	DOOR-SW	I	Door open/close detector switch.
58	LOAD-SW2	I	Load switch2 for sub pickup.
59	UNLOAD-SW2	I	Unload switch2 for sub pickup.
60	DISC-SW2	I	Disc2 sensor.
61	VSS	-	GND.
62	LOADM-2	O	Load motor(-) for sub pickup.
63	LOADM+2	O	Load motor(+) for sub pickup.
64	AVREF1	-	D/A reference power supply.
65	RXD2	I	UART communication input.
66	TXD2	O	UART communication output.
67	SQCK/SCK-SW	O	SQCK,SCK(DOT/DSP clock) selector. L:DSP.
68	RXD1	I	UART communication input from sub u-com.
69	TXD1	O	UART communication output to sub u-com.
70	LDC	O	Laser on/off. L: Laser diode on.
71	STB1	O	Strobe signal output to dot driver.
72	SI	I	Data input from dot driver.
73	SQS1	I	Sub code read data input.
74	SO	O	Data output to dot driver.
75	SCK/SQCK	O	Dot driver/sub code read clock.
76-83	A16,14,12,7-3	O	Address output to SRAM.
84~91	D0-7	I/O	SRAM data bus.
92~99	A10,A15,A13,A8, A9,A11,A0,A1	O	Address output to SRAM.
100	VSS	-	GND.

1-3 Key matrix () : IC14 Pin No.

VOLTAGE	A/D0(33)	A/D1(32)	A/D2(31)
4.1V	-	-	OPERATION
3.3V	-	-	RANDOM
2.5V	-	-	CONFIRM
1.6V	-	REPEAT	CONT.P
0.8V	DOWN	DISP.	PLAY/PAUSE
0V	UP	POWER	STOP

CD-4900M/DPF-J9030

CIRCUIT DESCRIPTION

2. Test mode

INPUT KEY	PROCEDURE	DISPLAY
Insert the AC plug to the wall outlet with pressing the SKIP-DOWN key.	INITIAL CONDITION <ul style="list-style-type: none"> • Disc No.1 moves to the center. • Clear the memory of the SRAM. • Door opens. • Set the switch of TIMER ON PLAY to ON. 	MECHA. INITIAL INITIAL OK!! INITIAL NG TIMER NG
Insert the AC plug to the wall outlet with pressing the REPEAT key	CIRCUIT ADJUSTMENT <ul style="list-style-type: none"> • Open the door and load the disc to the Disc No.1. • Close the door. The unit changes to test mode05 after clamping the disc. 	TEST ON
PLAY/PAUSE	Change the mode 05(tracking-on) and 03(tracking-off) alternately by the PLAY key.	05 XX:XX 03 XX:XX
STOP	Stop the function.	00
UP	The pickup travels outwards.	MOTOR FORWARD
DOWN	The pickup travels inwards.	MOTOR REVERSE
RANDOM	Shows the result of self-adjustment. 07 EF/FB ← ↓ 08 TG/FG ↓ 09 FE/RF ↓ 10 TE/VC Mode changes alternately by the RANDOM key.	07 XXX:XXX 08 XXX:XXX 09 XXX:XXX 10 XXX:XXX NG: blinking
REPEAT	Playback PGM signal of the Track No.7,13,23,30,34 and 41 in the order. And release the test mode.	
CONFIRM	Release the test mode.	
(TIMER PLAY SW)	Check the switch position.	TIMER ON , TIMER OFF
OPERATION A/B	Change the mechanism A and B.	
Insert the AC plug to the wall outlet with pressing the UP key.	CHECK THE MECHANISM JAMMING. Clamp the Disc No1,2,100,50,200 and 199 in the order.	
Insert the AC plug to the wall outlet with pressing the RANDOM key.	THE MECHANISM TEST MODE. Display shows Niagara until pressing any keys.	
PLAY/PAUSE	Change the mode 05(tracking-on) and 03(tracking-off) alternately by the PLAY key.	05 XX:XX 03X:XX
STOP	Stop the function. Shows the result of self-adjustment. 07 EF/FB ← ↓ 08 TG/FG ↓ 09 FE/RF ↓ 10 TE/VC Mode changes alternately by the STOP key.	07 XXX:XXX 08 XXX:XXX 09 XXX:XXX 10 XXX:XXX NG: blinking
UP	Arm Motor Load operation.	MOTOR LOAD
DOWN	Arm Motor Unload operation.	MOTOR UNLOAD
RANDOM	Rotary Motor Clockwise turning.	MOTOR CW
DISPLAY	Rotary Motor Counterclockwise turning.	MOTOR CCW
REPEAT	Playback PGM signal of the Track No.7,13,23,30,34 and 41 in the order.And release the test mode.	
CONFIRM	Release the test mode.	
OPERATION A/B	Change the mechanism A and B.	

CD-4900M/DPF-J9030

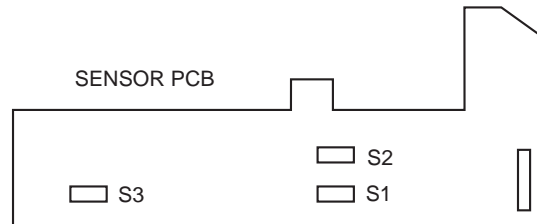
CIRCUIT DESCRIPTION

3. Error code

DISPLAY	ERROR CONTENTS
MECHA ERROR 01	No input of S3. The original position error of Disc Number.
MECHA ERROR 02	No input of S2. The turning direction error to counterclockwise.
MECHA ERROR 03	No input of S1. The turning direction error to clockwise.
MECHA ERROR 04	No input of main load sw.
MECHA ERROR 05	No input of main unload sw.
MECHA ERROR 06	No input of sub load sw.
MECHA ERROR 07	No input of sub unload sw.
MECHA ERROR 08	No backed up(AC power cord has disconnected).

S1-3: Mechanism address detector switch.

There are load and unload switches in the main pickup.



S1 DISC 1~9
S2 DISC 10~99
S3 DISC 100~200

CD-4900M/DPF-J9030

ADJUSTMENT

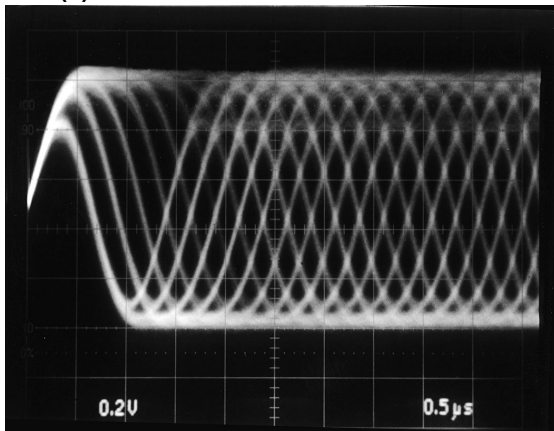
No.	ITEM	INPUT SETTING	OUTPUT SETTING	PLAYER SETTING	ALIGNMENT POINT	ALIGN FOR	FIG.
1. With pressing the REPEAT KEY, turn the power on to enter the test mode. 2. Set the Test disc to Disc NO. 1. 3. Close the door.							
1	FOCUS ERROR BIAS	Test disc Type4 /KTD-02	Connect an oscilloscope as follows. CH1:RF(X25, CN2-1 X32, CN2-1)	Press the PLAY /PAUSE key . Confirm that the display is "05".	FE BIAS VR1 (X25, X32)	Optimum eye pattern	(d)
2	LASER CURRENT CHECK	Test disc Type4	Connect the DC voltmeter between Q1(E) and VCC(CN1, 15pin) on X25 and X32.	Press the PLAY /PAUSE key . Confirm that the display is 03 or 05.	-	0.5±0.2V	

Note:

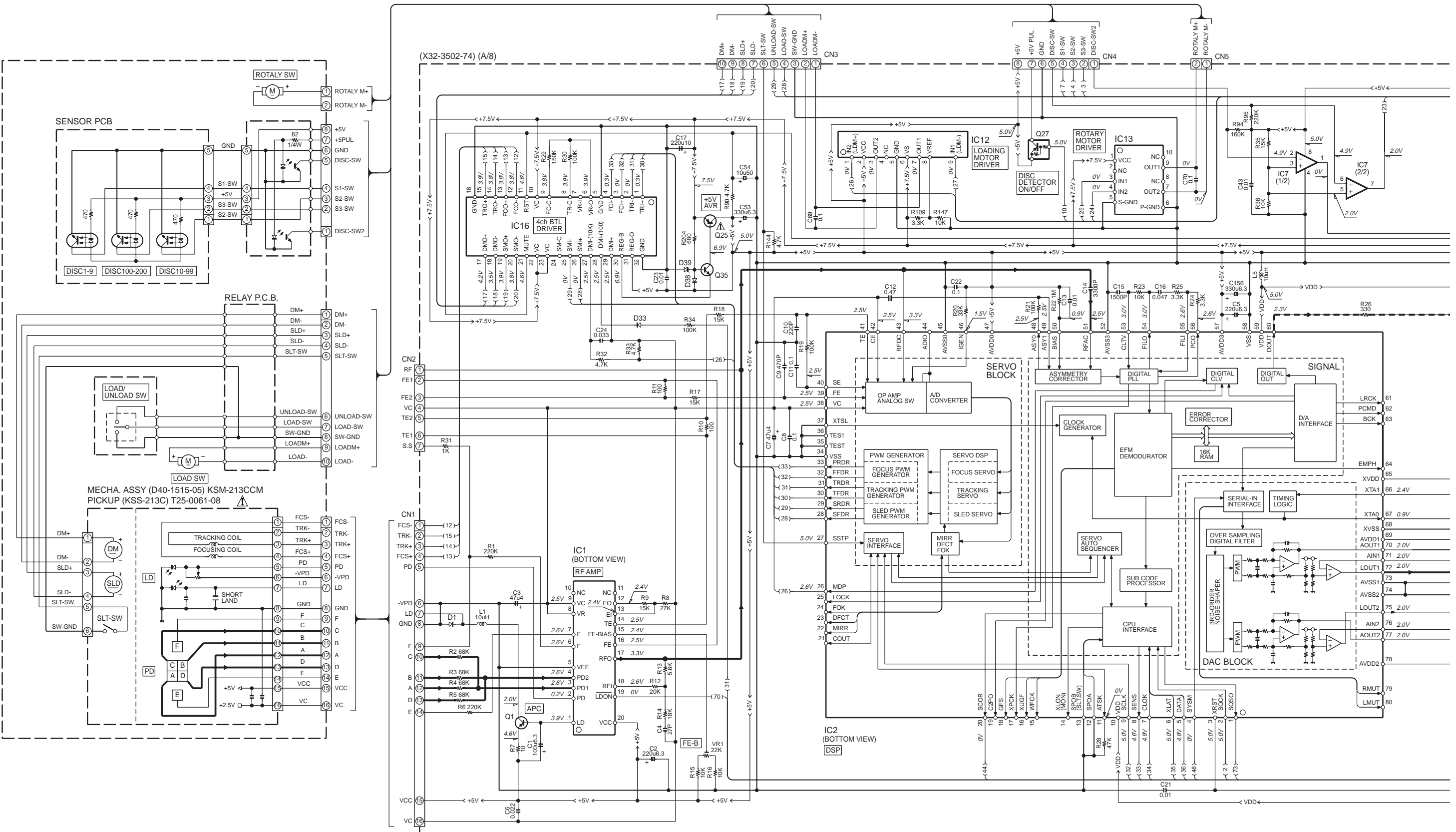
Type 4 disc :SONY YEDS-18 Test Disc or equivalent.

LPF : Around 47kΩ + 390 pF or so.

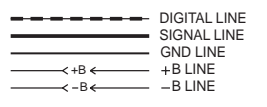
FIG. (d)

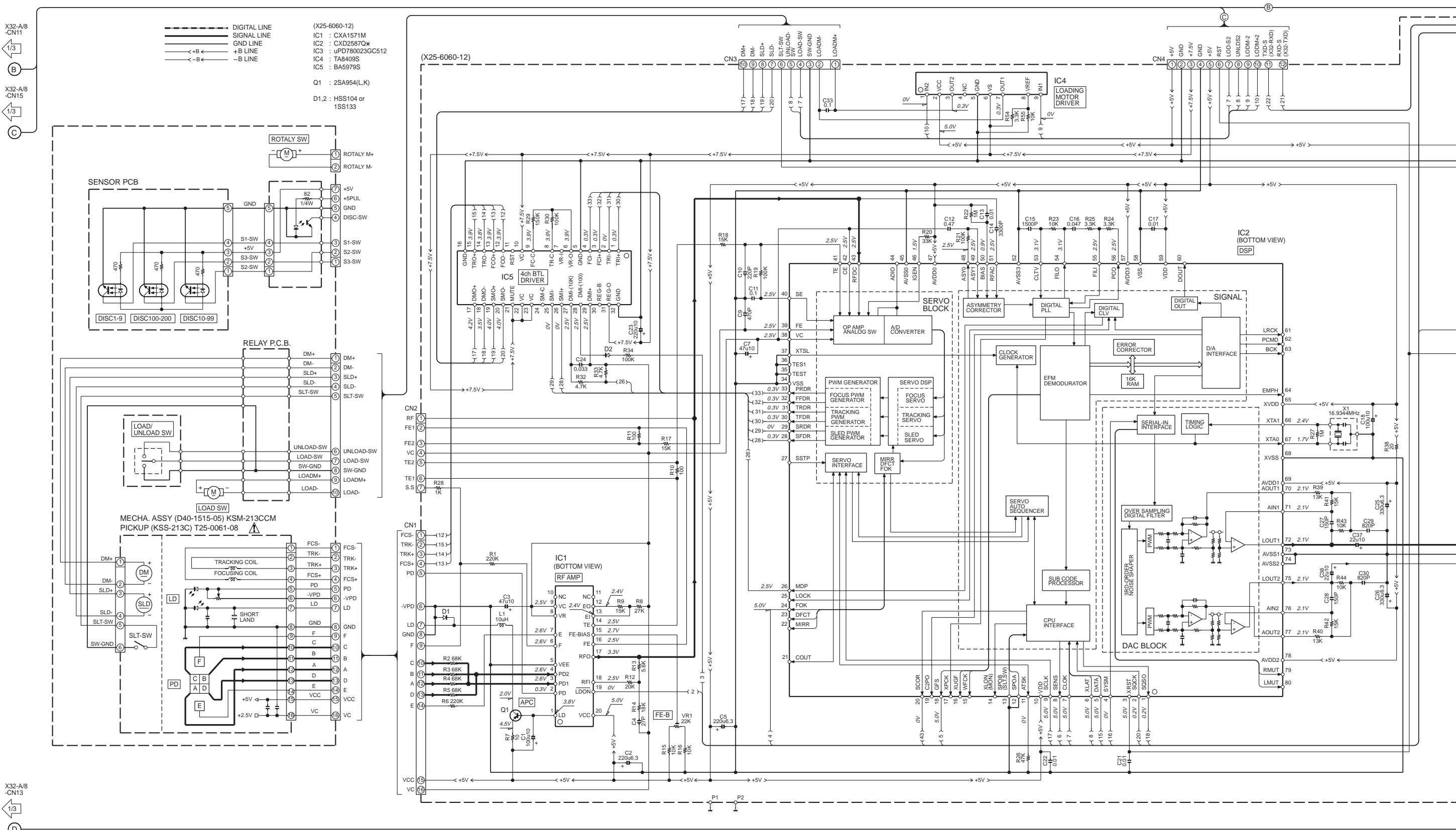


- RF signal in test mode (PLAY).
- Perform the tangential and focusing offset are focused into one point on the display. The crossing points above and below the center shall also be looked clearly. (FE BIAS)



- | | | |
|---|--------------------------------------|-----------------------------------|
| IC1 : CXA1571M | Q1 : 2SA954(L,K) | D1-5,30-33,38 : HSS104A or 1SS133 |
| IC2 : CXD2587Q * | Q23 : UN5212 or DTC124EUA | D39 : MTZJ5.1(B) or RD5.1ES(B2) |
| IC7 : NJM2100M | Q24 : UN5112 or DTA124EUA | |
| IC8 : uPD784217GF502 | Q25 : 2SB1640 or 2SB1417(P) | |
| IC9 : 5M51008BF70LL or MSM51008CF70H or CY62128L-70SC | Q26 : 2SC2003(L,K) | |
| IC10 : uPD17215GT-737 | Q27 : UN4119 or DTA113ZSA | |
| IC11 : TC74HC00AF | Q35 : 2SC2458(Y,GR) or 2SC3311A(Q,R) | |
| IC12 : TAB409S | | |
| IC13 : LB1930M | | |
| IC16 : BA5979S | | |





--- DIGITAL LINE
 — SIGNAL LINE
 — GND LINE
 <+B> +B LINE
 <-B> -B LINE

(X25-6060-12)
 IC1 : CXA1571M
 IC2 : CXD2587Q*
 IC3 : uPD780023GC512
 IC4 : TA8409S
 IC5 : BA5979S

Q1 : 2SA954(L,K)
 D1,2 : HSS104 or 1SS133

(X25-6060-12)

IC2 (BOTTOM VIEW)
DSP

IC1 (BOTTOM VIEW)
RF AMP

SERVO BLOCK

DAC BLOCK

CPU INTERFACE

SERVO INTERFACE

OPAMP ANALOG SW

A/D CONVERTER

ASSEMBLY CORRECTOR

DIGITAL PLL

DIGITAL CLV

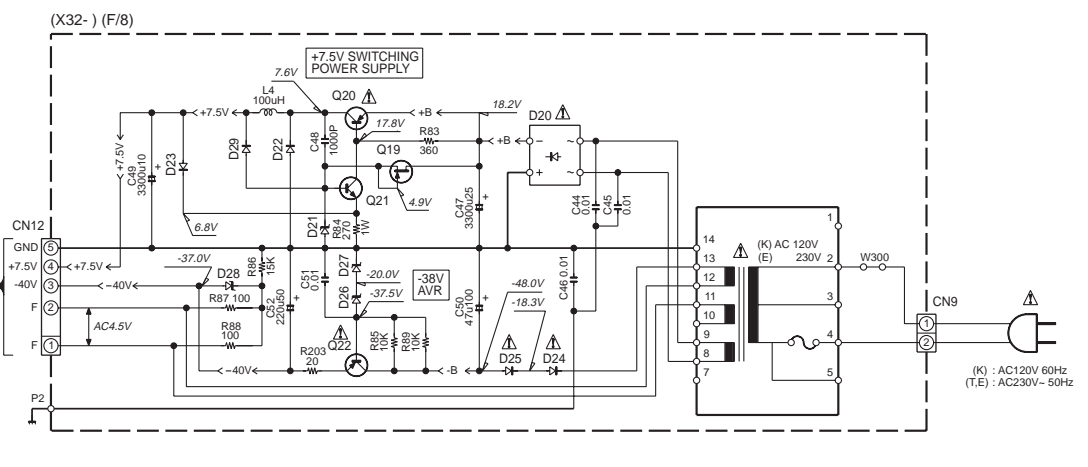
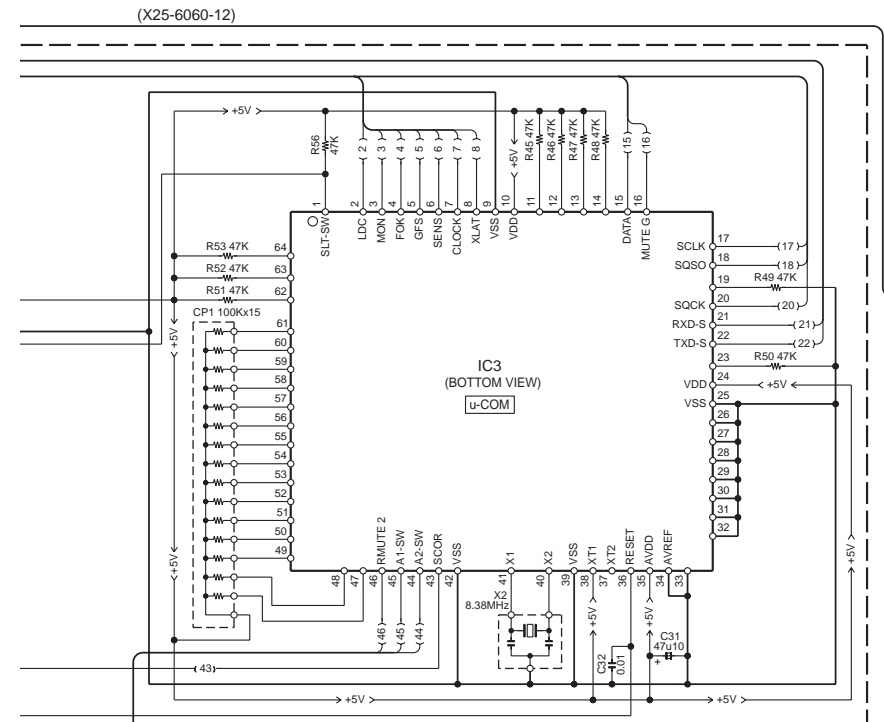
D/A INTERFACE

LOADING MOTOR DRIVER

X32-A/B -CN11
1/3
B
X32-A/B -CN15
1/3
C
X32-A/B -CN13
1/3
D

U V W X Y Z AA AB AC AD

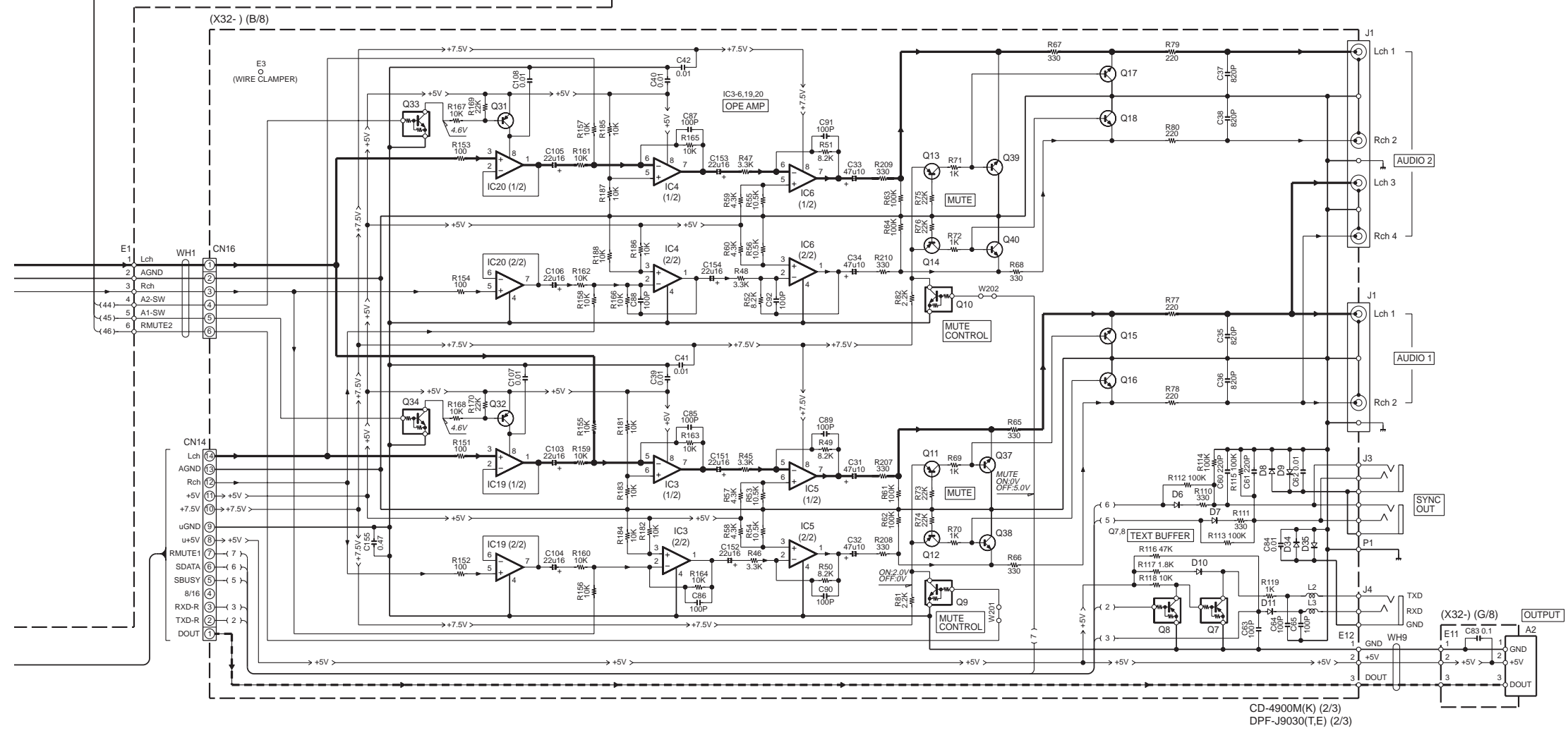
1
2
3
4
5
6
7



- (X32-) (F/8)
- Q19 : 2SK246(Y)
 - Q20 : 2SB1143(S,T)
 - Q21 : 2SC3940A
 - Q22 : 2SA954(L,K)
 - D20 : D3SBA20F03 or RBV-402LFA
 - D21 : RD7.5J(S,B2) or MTZJ7.5(B)
 - D22 : DLM10C
 - D23,29 : HSS104A or 1SS133
 - D24,25 : S5688B or 1SR139-400
 - D26 : RD16ES(B2) or MTZJ16(B)
 - D27 : RD20ES(B) or MTZJ20(B)
 - D28 : RD11ES(B2) or MTZJ11(B)
- (X32-) (B/8)
- Q7 : UN4219 or DTC113ZSA
 - Q8-10,33,34 : UN4212 or DTC124ESA
 - Q11-14 : 2SA1586(Y,GR) or 2SA1576A(R,S)
 - Q15-18,37-40 : 2SD1450(S,T)
 - Q31,32 : 2SA954(L,K)
 - IC3,4,19,20 : NJM2100M
 - IC5,6 : NJM2115M
 - D6-11,34,35 : HSS104A or 1SS133

CAUTION: For continued safety, replace safety critical components only with manufacturer's recommended parts (refer to parts list). Δ indicates safety critical components. For continued protection against risk of fire, replace only with same type and rating fuse(s). To reduce the risk of electric shock, leakage-current or resistance measurements shall be carried out (exposed parts are acceptably insulated from the supply circuit) before the appliance is returned to the customer.

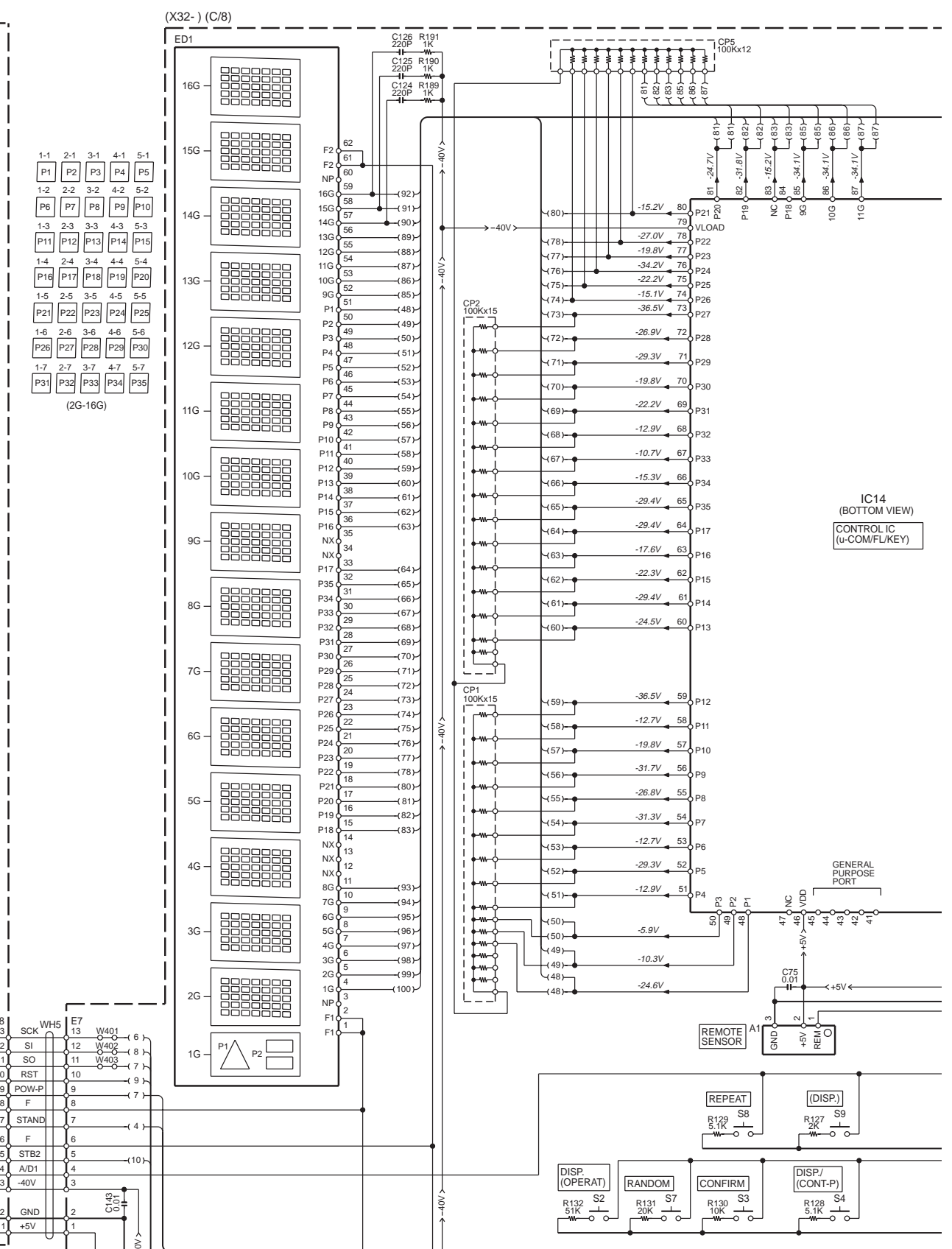
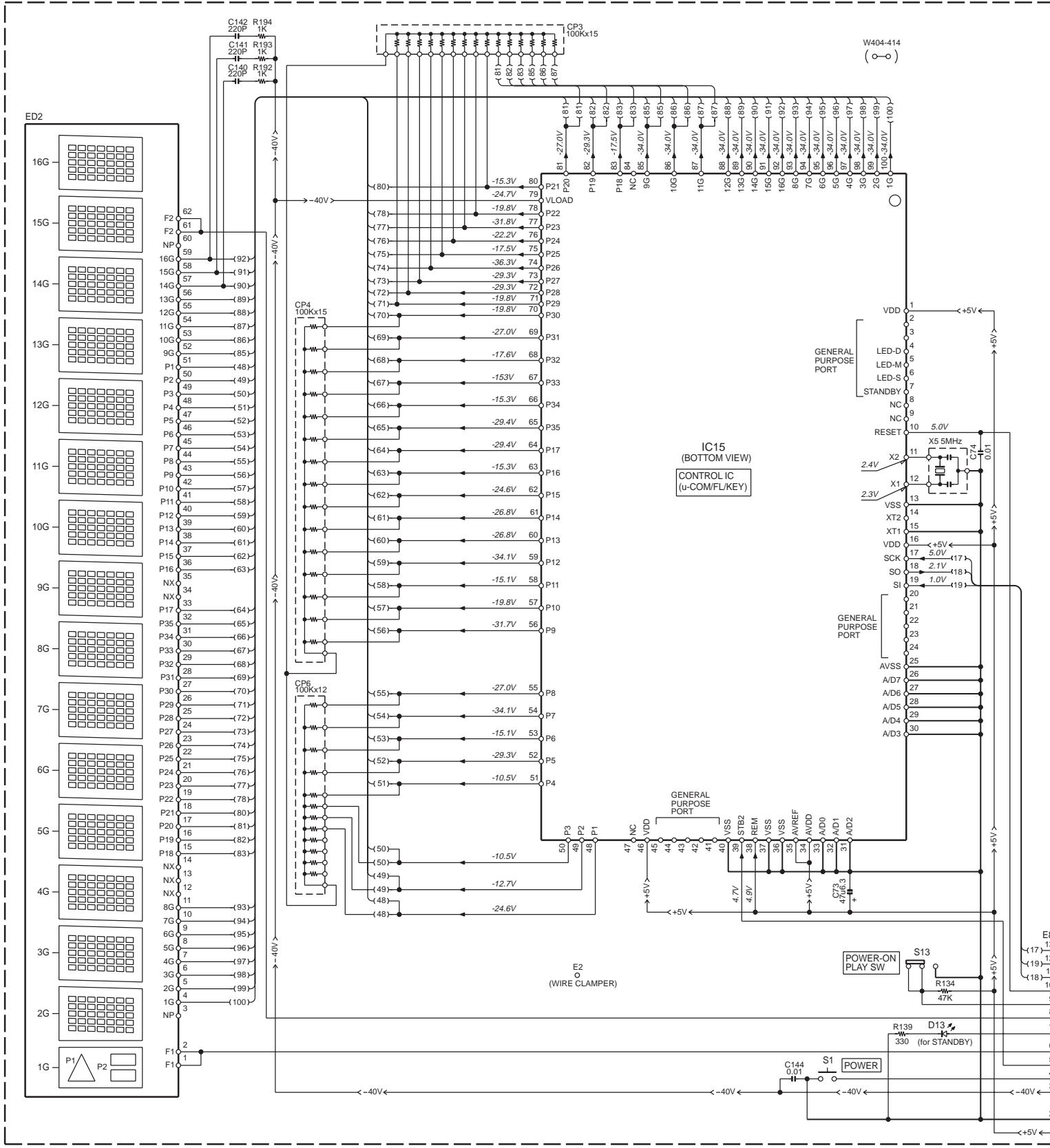
The DC voltage is an actual reading measured with a high impedance type voltmeter. The measurement value may vary depending on the measuring instruments used or on the product. Refer to the voltage during PLAY unless otherwise specified; The value shown in () is the voltage measured at the moment of STOP.



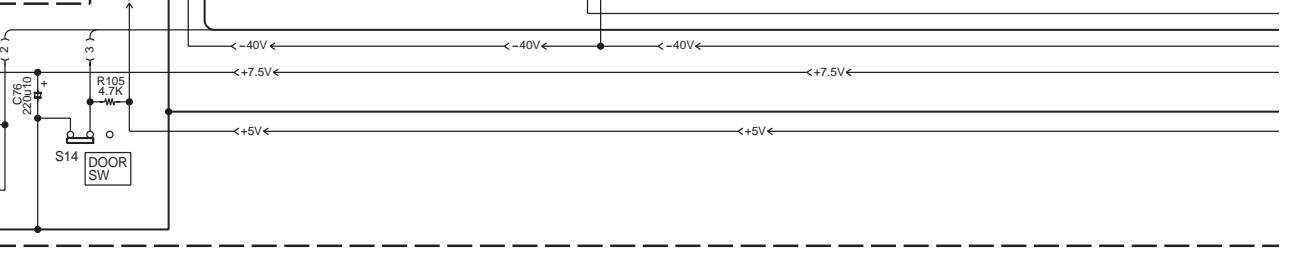
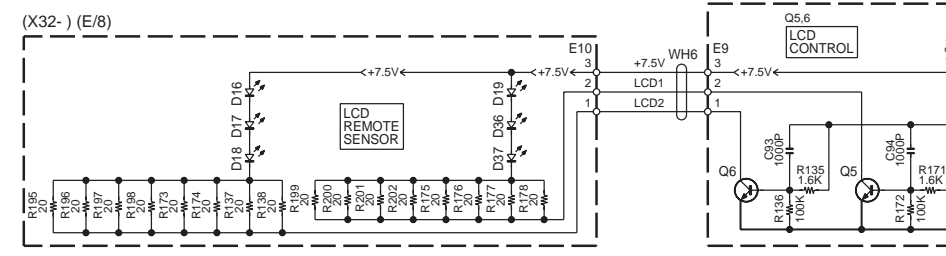
CD-4900M/DPF-J9030

Y32-8250-10

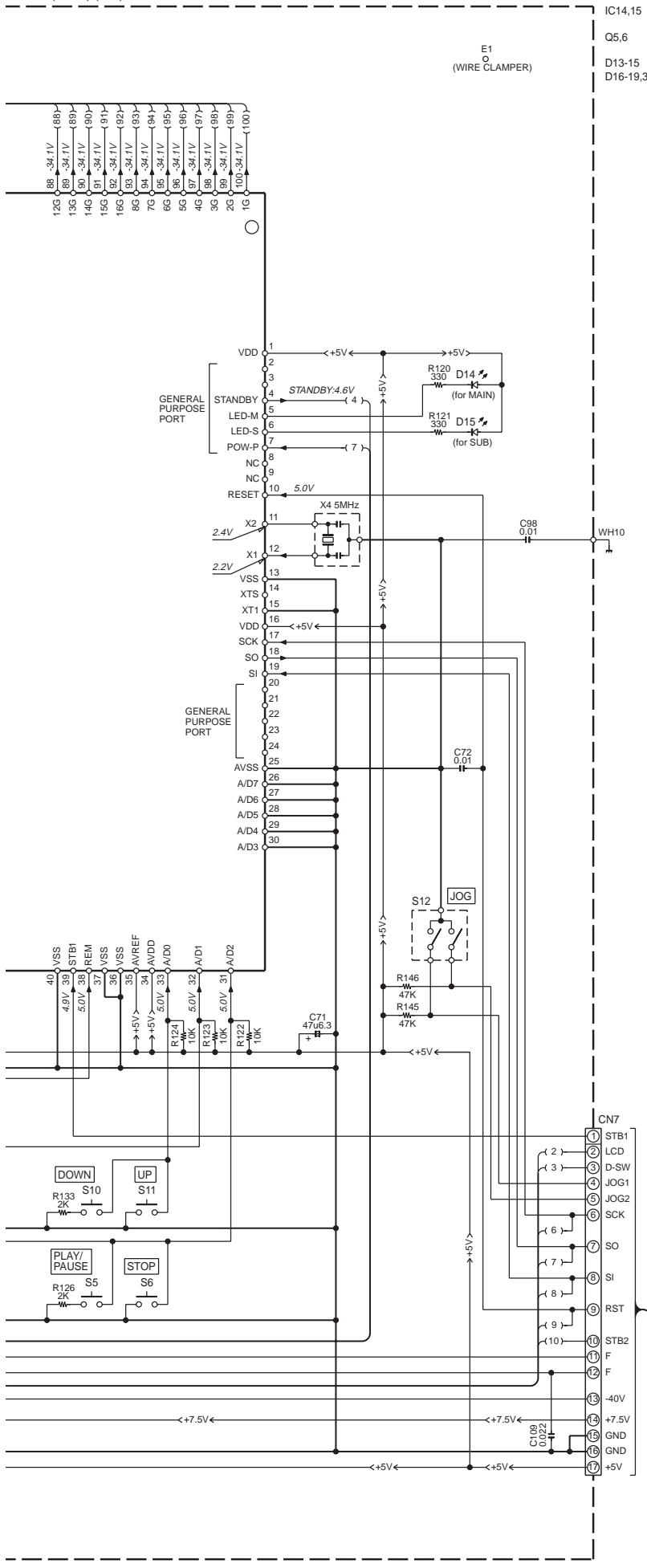
KENWOOD



GND LINE
 <-B< +B LINE
 <-B< -B LINE



(X32-) (C/8)



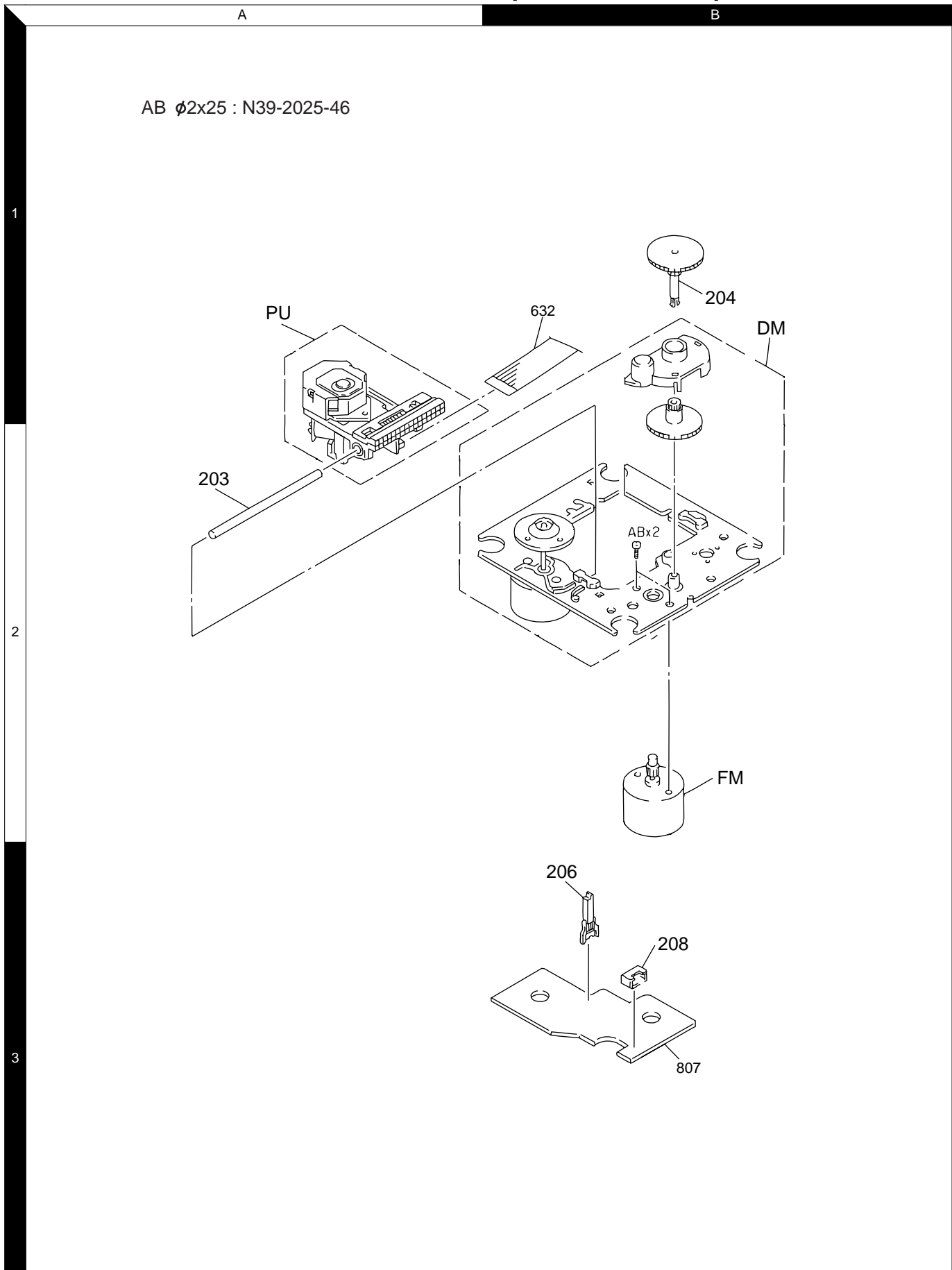
- IC14,15 : uPD780204-038
- Q5,6 : 2SC3246(J,K)
- D13-15 : B30-2493-05
- D16-19,36,37 : B30-2532-05

CAUTION: For continued safety, replace safety critical components only with manufacturer's recommended parts (refer to parts list). ⚠ indicates safety critical components. For continued protection against risk of fire, replace only with same type and rating fuse(s). To reduce the risk of electric shock, leakage-current or resistance measurements shall be carried out (exposed parts are acceptably insulated from the supply circuit) before the appliance is returned to the customer.

The DC voltage is an actual reading measured with a high impedance type voltmeter. The measurement value may vary depending on the measuring instruments used or on the product. Refer to the voltage during PLAY unless otherwise specified; The value shown in () is the voltage measured at the moment of STOP.

CD-4900M/DPF-J9030

EXPLODED VIEW (MECHANISM)



* New Parts
 Parts without **Parts No.** are not supplied.
 Les articles non mentionnés dans le **Parts No.** ne sont pas fournis.
 Teile ohne **Parts No.** werden nicht geliefert.



Ref. No	Add-ress	New Parts	Parts No.	Description	Desti-nation	Re-marks
CD-4900M/DPF-J9030						
601	1C	*	A01-3738-08	METALLIC CABINET		
602	1C		A09-0374-08	BATTERY COVER		
602	1C		A09-1176-08	BATTERY COVER (KEYBOARD)		
603	2C	*	A21-3811-08	DRESSING PANEL	K	
603	2C	*	A21-3812-08	DRESSING PANEL	TE	
604	2C	*	A21-3809-08	DRESSING PANEL	K	
604	2C	*	A21-3810-08	DRESSING PANEL	TE	
605	2C	*	A21-3815-08	DRESSING PANEL		
606	2C	*	A29-1080-08	PANEL		
607	2C	*	A46-0331-08	REAR COVER		
608	1C	*	A50-1342-08	SIDE PLATE		
609	1C	*	A50-1343-08	SIDE PLATE		
610	2C	*	A60-1752-18	PANEL		
611	1C	*	A70-1326-05	REMOTE CONTROL ASSY(RC-KB2)		
611	1C	*	A70-1335-18	REMOTE CONTROL ASSY(RC-P0713)		
615	2C	*	B10-3557-08	FRONT GLASS		
616	2C	*	B10-3558-08	FRONT GLASS		
617	2C	*	B10-3559-08	FRONT GLASS		
618	2C	*	B10-3560-08	FRONT GLASS		
619	2C	*	B11-0400-08	COLOR FILTER		
620	2C		B12-0326-04	INDICATOR		
621	2C	*	B12-0327-18	INDICATOR		
-			B20-0623-18	SCALE		
-			B46-0310-03	WARRANTY CARD	TE	
-			B46-0328-03	WARRANTY CARD	K	
-			B46-0346-00	QUESTIONNAIRE CARD	K	
-			B58-0964-13	CAUTION CARD (UL)	K	
-			B58-0965-13	CAUTION CARD (T,XtypePL)	T	
-			B58-0966-13	CAUTION CARD (ELMtypePL)	E	
-		*	B60-4465-08	INSTRUCTION MANUAL (EN)	KT	
-		*	B60-4466-08	INSTRUCTION MANUAL (FR)	E	
-		*	B60-4467-08	INSTRUCTION MANUAL (IT/ES)	E	
-		*	B60-4468-08	INSTRUCTION MANUAL (GE/NE)	E	
625	2C		D39-0322-05	DAMPER		
626	1D		D40-1515-05	MECHANISM ASSY		
630	2E		E30-0505-05	AUDIO CORD		
631	1E		E30-2788-05	AC POWER CORD	E	
631	1E		E30-2791-05	AC POWER CORD	T	
631	1E		E30-2883-05	AC POWER CORD	K	
632	1C		E30-2816-05	SYSTEM CONTROL CORD		
633	1C		E30-2861-05	COMMUNICATION CORD		
634A	1D		E35-2325-08	FLAT CABLE		
634B	1E		E35-1949-08	FLAT CABLE		
635	1D,2C		E35-2079-08	FLAT CABLE		
637	1D		F07-1613-08	COVER		
639	2C	*	F19-1106-08	BLIND PLATE		
646	2C	*	G01-4199-08	TORSION COIL SPRING		
647	1D		G13-0595-08	CUSHION		
-		*	H10-7632-08	POLYSTYRENE FOAMED FIXTURE		
-		*	H10-7633-08	POLYSTYRENE FOAMED FIXTURE		
-			H12-3410-08	PACKING FIXTURE		

L : Scandinavia K : USA P : Canada R : Mexico C : China I : Malaysia
 Y : PX(Far East,Hawaii) T : England E : Europe G : Germany V : China(Shanghai)
 Y : AAFES(Europe) X : Australia Q : Russia H : Korea M : Other Areas Δ indicates safety critical components.

* New Parts
 Parts without **Parts No.** are not supplied.
 Les articles non mentionnés dans le **Parts No.** ne sont pas fournis.
 Teile ohne **Parts No.** werden nicht geliefert.



Ref. No	Add-ress	New Parts	Parts No.	Description	Desti-nation	Re-marks
-			H21-0353-18	PROTECTION SHEET		
-			H25-0232-04	PROTECTION BAG (235X350X0.03)	KE	
-		*	H25-0651-04	PROTECTION BAG (0232 PRINT)	T	
-		*	H25-1668-08	PROTECTION BAG		
-		*	H50-3549-08	ITEM CARTON CASE	K	
-		*	H50-3550-08	ITEM CARTON CASE	TE	
652	2E		J02-1461-08	FOOT (REAR)		
653	2D	*	J02-1466-08	FOOT (FRONT)		
Δ 656	1E		J42-0083-05	POWER CORD BUSHING		
657	2C		J52-0039-05	PUSH LATCH		
658	2C	*	J69-0216-08	ADHESIVE TAPE		
-			J61-0098-05	WIRE BAND		
660	2C	*	K29-7716-08	KNOB		
661	2C	*	K29-7717-08	KNOB (TIMER)		
Δ 665	1E		L07-2446-08	POWER TRANSFORMER	K	
Δ 665	1E		L07-2448-08	POWER TRANSFORMER	TE	
Z		*	N09-5187-08	SET SCREW		
SUB-CIRCUIT UNIT (X25-6060-12)						
C1			CE04KW1A101M	ELECTRO	100UF	10WV
C2			CE04KW0J221M	ELECTRO	220UF	6.3WV
C3			CE04KW1A470M	ELECTRO	47UF	10WV
C4			CC45FSL1H270JN	CERAMIC	27PF	J
C5			CE04KW0J221M	ELECTRO	220UF	6.3WV
C7			CE04KW1A470M	ELECTRO	47UF	10WV
C9			CK45FB1H471KMM	CERAMIC	470PF	K
C10			CC45FSL1H221JN	CERAMIC	220PF	J
C11			CF92FV1H104J	MF-C	0.10UF	J
C12			CF92FV1H474J	MF-C	0.47UF	J
C13			CQ93FMG1H103J	MYLAR	0.010UF	J
C14			CK45FB1H332KMM	CERAMIC	3300PF	K
C15			CK45FB1H152KMM	CERAMIC	1500PF	K
C16			CQ93FMG1H473J	MYLAR	0.047UF	J
C17			CK45FF1H103ZMM	CERAMIC	0.010UF	Z
C18			CE04KW1A101M	ELECTRO	100UF	10WV
C21, 22			CK45FF1H103ZMM	CERAMIC	0.010UF	Z
C23			CE04KW1A221M	ELECTRO	220UF	10WV
C24			CQ93FMG1H333J	MYLAR	0.033UF	J
C25, 26			CE04KW0J331M	ELECTRO	330UF	6.3WV
C27, 28			CC45FSL1H151JN	CERAMIC	150PF	J
C29, 30			CQ93FMG1H821J	MYLAR	820PF	J
C31			CE04KW1A470M	ELECTRO	47UF	10WV
C32			CK45FF1H103ZMM	CERAMIC	0.010UF	Z
C33			CF92FV1H104J	MF-C	0.10UF	J
C37, 38			CE04KW1A220M	ELECTRO	22UF	10WV
CN1			E40-4997-05	FLAT CABLE CONNECTOR		
CN2			E40-4979-05	PIN ASSY		
CN3			E40-3268-05	PIN ASSY		
CN4			E40-3256-05	PIN ASSY		
P1, 2			J21-5845-04	MOUNTING HARDWARE		
L1			L40-1001-17	SMALL FIXED INDUCTOR(10UH,K)		

L : Scandinavia K : USA P : Canada R : Mexico C : China I : Malaysia
 Y : PX(Far East,Hawaii) T : England E : Europe G : Germany V : China(Shanghai)
 Y : AAFES(Europe) X : Australia Q : Russia H : Korea M : Other Areas Δ indicates safety critical components.

PARTS LIST

CD-4900M/DPF-J9030

* New Parts
 Parts without **Parts No.** are not supplied.
 Les articles non mentionnés dans le **Parts No.** ne sont pas fournis.
 Teile ohne **Parts No.** werden nicht geliefert.

3

Ref. No	Add-ress	New Parts	Parts No.	Description	Desti-nation	Re-marks
X1			L78-0299-05	RESONATOR (16.93M)		
X2			L78-0605-05	RESONATOR (8.38MHZ)		
CP1			R90-0875-05	MULTI-COMP 100KX15		
VR1			R12-3101-05	TRIMMING POT.(22K)		
D1 ,2			HSS104	DIODE		
D1 ,2			1SS133	DIODE		
IC1			CXA1571M	ANALOGUE IC		
IC2			CXD2587Q*	MOS-IC		
IC3			UPD780023GC512	MI-COM IC		
IC4			TA8409S	MOS-IC		
IC5			BA5979S	ANALOGUE IC		
Q1			2SA954(L,K)	TRANSISTOR		
CD PLAYER UNIT (X32-3502-74)						
D13 -15			B30-2493-05	LED(RED,P=5MM)		
D16 -19			B30-2532-05	LED(INFRARED)		
D36 ,37			B30-2532-05	LED(INFRARED)		
C1			C90-3214-05	ELECTRO 100UF	6.3WV	
C2			C90-3215-05	ELECTRO 220UF	6.3WV	
C3			C90-3203-05	ELECTRO 47UF	4WV	
C4			CC73FSL1H270J	CHIP C	J	
C5			CE04KW0J221M	ELECTRO 220UF	6.3WV	
C6			CK73FB1H223K	CHIP C	0.022UF	K
C7			C90-3203-05	ELECTRO 47UF	4WV	
C8			CK73FB1E104K	CHIP C	0.10UF	K
C9			CC73FSL1H471J	CHIP C	470PF	J
C10			CC73FSL1H221J	CHIP C	220PF	J
C11			CK73FB1E104K	CHIP C	0.10UF	K
C12			CK73FB1C474K	CHIP C	0.47UF	K
C13			CK73FB1H103K	CHIP C	0.010UF	K
C14			CK73FB1H332K	CHIP C	3300PF	K
C15			CK73FB1H152K	CHIP C	1500PF	K
C16			CK73FB1H473K	CHIP C	0.047UF	K
C17			C90-3223-05	ELECTRO 220UF	10WV	
C18			C90-3214-05	ELECTRO 100UF	6.3WV	
C19 ,20			CC73FCH1H070D	CHIP C	7.0PF	D
C21			CK73FB1H103K	CHIP C	0.010UF	K
C22			CK73FB1E104K	CHIP C	0.10UF	K
C23			CK73FB1H103K	CHIP C	0.010UF	K
C24			CK73FB1H333K	CHIP C	0.033UF	K
C25 ,26			CE04KW0J331M	ELECTRO 330UF	6.3WV	
C27 ,28			CC73FSL1H151J	CHIP C	150PF	J
C29 ,30			CC73FSL1H821J	CHIP C	820PF	J
C31 -34			CE04KW1A470M	ELECTRO 47UF	10WV	
C35 -38			CC73FSL1H821J	CHIP C	820PF	J
C39 -43			CK73FB1H103K	CHIP C	0.010UF	K
C44 -46			CK45FF1H103Z	CERAMIC	0.010UF	Z
C47			CE04KW1E332M	ELECTRO 3300UF	25WV	
C48			CK73FB1H102K	CHIP C	1000PF	K
C49			CE04KW1A332M	ELECTRO 3300UF	10WV	
C50			CE04KW2A470M	ELECTRO 47UF	100WV	
C51			CK73FB1H103K	CHIP C	0.010UF	K
C52			CE04KW1H221M	ELECTRO 220UF	50WV	
C53			CE04KW0J331M	ELECTRO 330UF	6.3WV	

L : Scandinavia K : USA P : Canada R : Mexico C : China I : Malaysia
 Y : PX(Far East,Hawaii) T : England E : Europe G : Germany V : China(Shanghai)
 Y : AAFES(Europe) X : Australia Q : Russia H : Korea M : Other Areas Δ indicates safety critical components.

* New Parts
 Parts without **Parts No.** are not supplied.
 Les articles non mentionnés dans le **Parts No.** ne sont pas fournis.
 Teile ohne **Parts No.** werden nicht geliefert.

4

Ref. No	Add-ress	New Parts	Parts No.	Description	Desti-nation	Re-marks
C54			CE04KW1H100M	ELECTRO 10UF	50WV	
C55			CE04KW1H010M	ELECTRO 1.0UF	50WV	
C56			CE04KW1A101M	ELECTRO 100UF	10WV	
C57			C90-3542-05	BACKUP 1.0F	5.5WV	
C58			CE04KW1A470M	ELECTRO 47UF	10WV	
C59			CK73FB1H103K	CHIP C	0.010UF	K
C60 ,61			CC73FSL1H221J	CHIP C	220PF	J
C62			CK73FB1H103K	CHIP C	0.010UF	K
C63 -65			CC73FSL1H101J	CHIP C	100PF	J
C66			CK73FB1H103K	CHIP C	0.010UF	K
C67			CE04KW1A470M	ELECTRO 47UF	10WV	
C68			C90-3212-05	ELECTRO 47UF	6.3WV	
C69 ,70			CK73FB1E104K	CHIP C	0.10UF	K
C71			C90-3212-05	ELECTRO 47UF	6.3WV	
C72			CK73FB1H103K	CHIP C	0.010UF	K
C73			C90-3212-05	ELECTRO 47UF	6.3WV	
C74 ,75			CK73FB1H103K	CHIP C	0.010UF	K
C76			C90-3223-05	ELECTRO 220UF	10WV	
C83			CK73FB1E104K	CHIP C	0.10UF	K
C84			CK73FB1H103K	CHIP C	0.010UF	K
C85 -92			CC73FSL1H101J	CHIP C	100PF	J
C93 ,94			CK73FB1H102K	CHIP C	1000PF	K
C98			CK73FB1H103K	CHIP C	0.010UF	K
C99			CK73FB1E104K	CHIP C	0.10UF	K
C101-106			CE04KW1C220M	ELECTRO 22UF	16WV	
C107,108			CK73FB1H103K	CHIP C	0.010UF	K
C109			CK73FB1H223K	CHIP C	0.022UF	K
C124-126			CC73FSL1H221J	CHIP C	220PF	J
C140-142			CC73FSL1H221J	CHIP C	220PF	J
C143,144			CK73FB1H103K	CHIP C	0.010UF	K
C151-154			CE04KW1C220M	ELECTRO 22UF	16WV	
C155			CK73FB1C474K	CHIP C	0.47UF	K
C156			C90-3216-05	ELECTRO 330UF	6.3WV	
C157			CC73FSL1H101J	CHIP C	100PF	J
CN1			E40-4997-05	FLAT CABLE CONNECTOR		
CN2			E40-4979-05	PIN ASSY		
CN3			E40-3268-05	PIN ASSY		
CN4			E40-3266-05	PIN ASSY		
CN5			E40-3260-05	PIN ASSY		
CN6 ,7			E40-4942-05	FLAT CABLE CONNECTOR		
CN9			E40-4245-05	PIN ASSY		
CN11,12			E40-3249-05	PIN ASSY		
CN13,14			E40-3258-05	PIN ASSY		
CN15			E40-3270-05	PIN ASSY		
CN16			E40-4296-05	FLAT CABLE CONNECTOR		
J1			E63-0120-05	PIN JACK		
J3			E11-0293-05	MINIATURE PHONE JACK(2P)		
J4			E11-0360-05	MINIATURE PHONE JACK(BLK,2.5 S)		
-			J19-5789-14	HOLDER		
E1 -3			J11-0809-05	WIRE CLAMPER		
L1			L40-1001-17	SMALL FIXED INDUCTOR(10UH,K)		
L2 ,3			L79-1216-05	LINE FILTER		
L4			L33-0558-05	CHOKE COIL		
L5			L40-1001-17	SMALL FIXED INDUCTOR(10UH,K)		

L : Scandinavia K : USA P : Canada R : Mexico C : China I : Malaysia
 Y : PX(Far East,Hawaii) T : England E : Europe G : Germany V : China(Shanghai)
 Y : AAFES(Europe) X : Australia Q : Russia H : Korea M : Other Areas Δ indicates safety critical components.

PARTS LIST

CD-4900M/DPF-J9030

* New Parts
 Parts without **Parts No.** are not supplied.
 Les articles non mentionnés dans le **Parts No.** ne sont pas fournis.
 Teile ohne **Parts No.** werden nicht geliefert.

5

Ref. No	Add-ress	New Parts	Parts No.	Description	Desti-nation	Re-marks
X1			L77-2226-05	CRYSTAL RESONATOR(16.9344MHZ)		
X2			L78-0615-05	RESONATOR (12.5MHZ)		
X3			L78-0674-05	RESONATOR (3.64MHZ)		
X4 .5			L78-0284-05	RESONATOR (5MHZ)		
CP1 -4			R90-0875-05	MULTI-COMP 100KX15		
CP5 .6			R90-0479-05	MULTI-COMP 100KX12		
R1			RK73FB2A224J	CHIP R 220K J 1/10W		
R2 -5			RK73FB2A683J	CHIP R 68K J 1/10W		
R6			RK73FB2A224J	CHIP R 220K J 1/10W		
R7			RK73FB2A100J	CHIP R 10 J 1/10W		
R8			RK73FB2A273J	CHIP R 27K J 1/10W		
R9			RK73FB2A153J	CHIP R 15K J 1/10W		
R10 ,11			RK73FB2A101J	CHIP R 100 J 1/10W		
R12			RK73FB2A203J	CHIP R 20K J 1/10W		
R13			RK73FB2A562J	CHIP R 5.6K J 1/10W		
R14			RK73FB2A183J	CHIP R 18K J 1/10W		
R15 ,16			RK73FB2A103J	CHIP R 10K J 1/10W		
R17 ,18			RK73FB2A153J	CHIP R 15K J 1/10W		
R19			RK73FB2A104J	CHIP R 100K J 1/10W		
R20			RK73FB2A333J	CHIP R 33K J 1/10W		
R21			RK73FB2A104J	CHIP R 100K J 1/10W		
R22			RK73FB2A105J	CHIP R 1.0M J 1/10W		
R23			RK73FB2A103J	CHIP R 10K J 1/10W		
R24 ,25			RK73FB2A332J	CHIP R 3.3K J 1/10W		
R26			RK73FB2A331J	CHIP R 330 J 1/10W		
R27			RK73FB2A105J	CHIP R 1.0M J 1/10W		
R28			RK73FB2A473J	CHIP R 47K J 1/10W		
R29			RK73FB2A154J	CHIP R 150K J 1/10W		
R30			RK73FB2A104J	CHIP R 100K J 1/10W		
R31			RK73FB2A102J	CHIP R 1.0K J 1/10W		
R32 ,33			RK73FB2A472J	CHIP R 4.7K J 1/10W		
R34			RK73FB2A104J	CHIP R 100K J 1/10W		
R35			RK73FB2A153J	CHIP R 15K J 1/10W		
R36			RK73FB2A103J	CHIP R 10K J 1/10W		
R38			RK73FB2A200J	CHIP R 20 J 1/10W		
R39 ,40			RK73FB2A133J	CHIP R 13K J 1/10W		
R41 ,42			RK73FB2A153J	CHIP R 15K J 1/10W		
R43 ,44			RK73FB2A103J	CHIP R 10K J 1/10W		
R45 -48			RK73FB2A332J	CHIP R 3.3K J 1/10W		
R49 -52			RK73FB2A822J	CHIP R 8.2K J 1/10W		
R53 -56			R92-1876-05	METAL 10.5K F 1/10W		
R57 -60			R92-1868-05	METAL 4.3K F 1/10W		
R61 -64			RK73FB2A104J	CHIP R 100K J 1/10W		
R65 -68			RK73FB2A331J	CHIP R 330 J 1/10W		
R69 -72			RK73FB2A102J	CHIP R 1.0K J 1/10W		
R73 -76			RK73FB2A223J	CHIP R 22K J 1/10W		
R77 -80			RK73FB2A221J	CHIP R 220 J 1/10W		
R81 ,82			RK73FB2A222J	CHIP R 2.2K J 1/10W		
R83			RK73FB2A361J	CHIP R 360 J 1/10W		
R84			RS14KB3A271J	FL-PROOF RS 270 J 1W		
R85			RK73FB2A103J	CHIP R 10K J 1/10W		
R86			RK73FB2A153J	CHIP R 15K J 1/10W		
R87 ,88			RK73FB2A101J	CHIP R 100 J 1/10W		
R89			RK73FB2A103J	CHIP R 10K J 1/10W		

L : Scandinavia K : USA P : Canada R : Mexico C : China I : Malaysia
 Y : PX(Far East,Hawaii) T : England E : Europe G : Germany V : China(Shanghai)
 Y : AAFES(Europe) X : Australia Q : Russia H : Korea M : Other Areas Δ indicates safety critical components.

* New Parts
 Parts without **Parts No.** are not supplied.
 Les articles non mentionnés dans le **Parts No.** ne sont pas fournis.
 Teile ohne **Parts No.** werden nicht geliefert.

6

Ref. No	Add-ress	New Parts	Parts No.	Description	Desti-nation	Re-marks
R90 ,91			RK73FB2A472J	CHIP R 4.7K J 1/10W		
R92			RK73FB2A2R2J	CHIP R 2.2 J 1/10W		
R93			RK73FB2A271J	CHIP R 270 J 1/10W		
R94			RK73FB2A164J	CHIP R 160K J 1/10W		
R95			RK73FB2A224J	CHIP R 220K J 1/10W		
R96 -99			RK73FB2A103J	CHIP R 10K J 1/10W		
R100,101			RK73FB2A472J	CHIP R 4.7K J 1/10W		
R102			RK73FB2A473J	CHIP R 47K J 1/10W		
R103			RK73FB2A103J	CHIP R 10K J 1/10W		
R105-107			RK73FB2A472J	CHIP R 4.7K J 1/10W		
R108			RK73FB2A473J	CHIP R 47K J 1/10W		
R109			RK73FB2A332J	CHIP R 3.3K J 1/10W		
R110,111			RK73FB2A331J	CHIP R 330 J 1/10W		
R112-115			RK73FB2A104J	CHIP R 100K J 1/10W		
R116			RK73FB2A473J	CHIP R 47K J 1/10W		
R117			RK73FB2A182J	CHIP R 1.8K J 1/10W		
R118			RK73FB2A103J	CHIP R 10K J 1/10W		
R119			RK73FB2A102J	CHIP R 1.0K J 1/10W		
R120,121			RK73FB2A331J	CHIP R 330 J 1/10W		
R122-124			RK73FB2A103J	CHIP R 10K J 1/10W		
R126,127			RK73FB2A202J	CHIP R 2.0K J 1/10W		
R128,129			RK73FB2A512J	CHIP R 5.1K J 1/10W		
R130			RK73FB2A103J	CHIP R 10K J 1/10W		
R131			RK73FB2A203J	CHIP R 20K J 1/10W		
R132			RK73FB2A513J	CHIP R 51K J 1/10W		
R133			RK73FB2A202J	CHIP R 2.0K J 1/10W		
R134			RK73FB2A473J	CHIP R 47K J 1/10W		
R135			RK73FB2A162J	CHIP R 1.6K J 1/10W		
R136			RK73FB2A104J	CHIP R 100K J 1/10W		
R137,138			RK73FB2A200J	CHIP R 20 J 1/10W		
R139			RK73FB2A331J	CHIP R 330 J 1/10W		
R140-143			RK73FB2A473J	CHIP R 47K J 1/10W		
R144			RK73FB2A472J	CHIP R 4.7K J 1/10W		
R145,146			RK73FB2A473J	CHIP R 47K J 1/10W		
R147			RK73FB2A103J	CHIP R 10K J 1/10W		
R151-154			RK73FB2A101J	CHIP R 100 J 1/10W		
R155-168			RK73FB2A103J	CHIP R 10K J 1/10W		
R169,170			RK73FB2A223J	CHIP R 22K J 1/10W		
R171			RK73FB2A162J	CHIP R 1.6K J 1/10W		
R172			RK73FB2A104J	CHIP R 100K J 1/10W		
R173-178			RK73FB2A200J	CHIP R 20 J 1/10W		
R181-188			RK73FB2A103J	CHIP R 10K J 1/10W		
R189-194			RK73FB2A102J	CHIP R 1.0K J 1/10W		
R195-203			RK73FB2A200J	CHIP R 20 J 1/10W		
R204			RK73FB2A681J	CHIP R 680 J 1/10W		
R205			RK73FB2A102J	CHIP R 1.0K J 1/10W		
R207-210			RK73FB2A331J	CHIP R 330 J 1/10W		
VR1			R12-3101-05	TRIMMING POT.(22K)		
S1 -11			S70-0031-05	TACT SWITCH		
S13			S62-0070-05	SLIDE SWITCH		
S14			S64-0034-05	LEVER SWITCH		
S12		*	T99-0639-05	ROTARY ENCODER		
D1 -11			HSS104A	DIODE		

L : Scandinavia K : USA P : Canada R : Mexico C : China I : Malaysia
 Y : PX(Far East,Hawaii) T : England E : Europe G : Germany V : China(Shanghai)
 Y : AAFES(Europe) X : Australia Q : Russia H : Korea M : Other Areas Δ indicates safety critical components.

* New Parts
 Parts without **Parts No.** are not supplied.
 Les articles non mentionnés dans le **Parts No.** ne sont pas fournis.
 Teile ohne **Parts No.** werden nicht geliefert.

7

Ref. No	Add-ress	New Parts	Parts No.	Description	Desti-nation	Re-marks
Δ D1 -11			1SS133	DIODE		
Δ D20			D3SBA20F03	DIODE		
Δ D20			RBV-402LFA	DIODE		
Δ D21			MTZJ7.5(B)	ZENER DIODE		
Δ D21			RD7.5JS(B2)	ZENER DIODE		
Δ D22			DLM10C	DIODE		
Δ D23			HSS104A	DIODE		
Δ D23			1SS133	DIODE		
Δ D24 ,25			S5688B	DIODE		
Δ D24 ,25			1SR139-400	DIODE		
Δ D26			MTZJ16(B)	ZENER DIODE		
Δ D26			RD16ES(B2)	ZENER DIODE		
Δ D27			MTZJ20(B)	ZENER DIODE		
Δ D27			RD20ES(B)	ZENER DIODE		
Δ D28			MTZJ11(B)	ZENER DIODE		
Δ D28			RD11ES(B2)	ZENER DIODE		
Δ D29 -35			HSS104A	DIODE		
Δ D29 -35			1SS133	DIODE		
Δ D38			HSS104A	DIODE		
Δ D38			1SS133	DIODE		
Δ D39			MTZJ5.1(B)	ZENER DIODE		
Δ D39			RD5.1ES(B2)	ZENER DIODE		
Δ ED1 ,2			16-MT-63GK	FLUORESCENT INDICATOR TUBE		
Δ IC1			CXA1571M	ANALOGUE IC		
Δ IC2			CXD2587Q*	MOS-IC		
Δ IC3 ,4			NJM2100M	IC(OP AMPLIFIER)		
Δ IC5 ,6			NJM2115M	ANALOGUE IC		
Δ IC7			NJM2100M	IC(OP AMPLIFIER)		
Δ IC8		*	UPD784217GF502	MI-COM IC		
Δ IC9		*	CY62128L-70SC	MEMORY IC		
Δ IC9		*	M5M51008CFP70H	MEMORY IC		
Δ IC9			5M51008BFP70LL	MEMORY IC		
Δ IC10			UPD17215GT-737	MI-COM IC		
Δ IC11			TC74HC00AF	IC(ZINPUT NAND GATE)		
Δ IC12			TA8409S	MOS-IC		
Δ IC13			LB1930M	ANALOGUE IC		
Δ IC14,15			UPD780204-038	MI-COM IC		
Δ IC16			BA5979S	ANALOGUE IC		
Δ IC19,20			NJM2100M	IC(OP AMPLIFIER)		
Δ Q1			2SA954(L,K)	TRANSISTOR		
Δ Q5 ,6			2SC3246(J,K)	TRANSISTOR		
Δ Q7			DTC113ZSA	DIGITAL TRANSISTOR		
Δ Q7			UN4219	DIGITAL TRANSISTOR		
Δ Q8 -10			DTC124ESA	DIGITAL TRANSISTOR		
Δ Q8 -10			UN4212	DIGITAL TRANSISTOR		
Δ Q11 -14			2SA1576A(R,S)	TRANSISTOR		
Δ Q11 -14			2SA1586(Y,GR)	TRANSISTOR		
Δ Q15 -18			2SD1450(S,T)	TRANSISTOR		
Δ Q19			2SK246(Y)	FET		
Δ Q20			2SB1143(S,T)	TRANSISTOR		
Δ Q21			2SC3940A	TRANSISTOR		
Δ Q22			2SA954(L,K)	TRANSISTOR		
Δ Q23			DTC124EUA	DIGITAL TRANSISTOR		
Δ Q23			UN5212	DIGITAL TRANSISTOR		
Δ Q24			DTA124EUA	DIGITAL TRANSISTOR		

L : Scandinavia K : USA P : Canada R : Mexico C : China I : Malaysia
 Y : PX(Far East,Hawaii) T : England E : Europe G : Germany V : China(Shanghai)
 Y : AAFES(Europe) X : Australia Q : Russia H : Korea M : Other Areas Δ indicates safety critical components.

* New Parts
 Parts without **Parts No.** are not supplied.
 Les articles non mentionnés dans le **Parts No.** ne sont pas fournis.
 Teile ohne **Parts No.** werden nicht geliefert.

8

Ref. No	Add-ress	New Parts	Parts No.	Description	Desti-nation	Re-marks
Δ Q24			UN5112	DIGITAL TRANSISTOR		
Δ Q25			2SB1417(P)	TRANSISTOR		
Δ Q25			2SB1640	TRANSISTOR		
Δ Q26			2SC2003(L,K)	TRANSISTOR		
Δ Q27			DTA113ZSA	DIGITAL TRANSISTOR		
Δ Q27			UN4119	DIGITAL TRANSISTOR		
Δ Q31 ,32			2SA954(L,K)	TRANSISTOR		
Δ Q33 ,34			DTC124ESA	DIGITAL TRANSISTOR		
Δ Q33 ,34			UN4212	DIGITAL TRANSISTOR		
Δ Q35			2SC2458(Y,GR)	TRANSISTOR		
Δ Q35			2SC3311A(Q,R)	TRANSISTOR		
Δ Q37 -40			2SD1450(S,T)	TRANSISTOR		
Δ A1			W02-2561-05	ELECTRIC CIRCUIT MODULE		
Δ A2			W02-1114-15	OSCILLATING MODULE		
MECHANISM CHANGER (MG-CH1)						
1	1E		A11-1134-08	BASE ARM		
2	1E		D10-3788-08	LEVER R		
3	1E		D12-0158-08	CAM CHANGE		
4	1E		J19-5892-08	HOLDER ARM		
5	1E		G16-0912-08	RUBBER		
6	1E		D10-3778-08	ARM DISC		
7	1E		G01-4060-08	SPG DISC H		
8	1E		J21-6576-08	PLATE ARM		
9	1E		D10-3785-08	SLIDER RACK		
10	1E		J19-5891-08	HOLDER RACK		
12	1D		D10-3787-08	LEVER CHANGE		
14	1E,2D		T42-0920-08	MOTOR		
17	1E		D13-1856-08	GEAR D		
19	1E		D10-3781-08	LEVER HOOK A		
20	1E		D10-3782-08	LEVER HOOK B		
21	1D		D13-1857-08	GEAR E		
22	1D		S64-0038-08	LEVER SW		
25	1E		J21-6579-08	PLATE LIMITTER		
26	2E		D10-3779-18	ARM SWING		
27	2E		D13-1855-08	GEAR CAM		
29	2D		J21-6573-08	PLATE LOCK		
30	2D		G01-4061-08	SPG LOCK LEVER		
31	2E		D10-3780-18	SLIDER CAM		
32	2E		J21-6574-08	PLATE SLIDE		
33	2E		D13-1854-08	GEAR SLIDER		
34	2E		D10-3786-18	LEVER STOPPER		
37	2E		J90-0854-08	GUIDE RACK		
38	1D		G01-4064-08	SPG CHANGE		
39	2D		D21-1899-08	PIN ROLLER		
40	2D		D14-0393-08	HOLDER ROLLER		
41	2D		J19-5888-08	ROLLER GUIDE		
42	2D		D21-1900-08	SHAFT MAIN		
43	2D		J19-5890-08	HOLDER SHAFT		
44	2D		J90-0856-08	GUIDE DISC		
45	1D		D32-0354-08	STOPPER DISC		
46	1D		J19-5893-08	HOLDER SENSOR		
47	1D		J19-5927-08	HOLDER SENSOR		
49	2E		J21-6570-08	PLATE HOLD T		
55	2E		J21-6580-08	PLATE LINK		

L : Scandinavia K : USA P : Canada R : Mexico C : China I : Malaysia
 Y : PX(Far East,Hawaii) T : England E : Europe G : Germany V : China(Shanghai)
 Y : AAFES(Europe) X : Australia Q : Russia H : Korea M : Other Areas Δ indicates safety critical components.

PARTS LIST

CD-4900M/DPF-J9030

CD-4900M/DPF-J9030

PARTS LIST

9

Ref. No	Add-ress	New Parts	Parts No.	Description	Desti-nation	Re-marks
58	2E		J21-6571-08	PLATE SLIDER A		
60	2E		J21-6575-08	PLATE SUPPORT B		
62	2D		D13-1852-08	GEAR B		
63	2D		D13-1853-08	GEAR C		
64	1E		J90-0855-08	GUIDE DISC U		
65	2E		J19-5894-08	HOLDER DISC U		
67	2E		G01-4057-08	SPG SLIDER		
69	2E		G01-4062-08	SPG DAMPER A		
70	2E		G01-4063-08	SPG DAMPER B		
72	2E		G01-4065-08	SPG STOPPER		
73	1D		J19-5889-08	STOCKER ROTARY		
80	2E		J11-0840-08	CLAMPER		
82	2E		J02-1412-08	INSULATOR		
83	1D		E40-8285-08	CONNECTOR 5P		
86	2E		T99-0565-05	MAGNET		
87	1D		N29-0287-08	E-RING 6.0		
88	1D		N19-1458-08	PSW 8.5X16X0.5		
89	2D		N19-1460-08	PSW 8.5X30X0.5		
90	2E		J69-0083-04	DOUBULE COATED TAPE		
91	2E		T95-0160-08	PHOTO INTERRUPTER		
92	2E		E40-8284-08	CONNECTOR 5P		
94	2E		N19-1461-08	FLAT WASHER		
101	2E		D32-0360-08	PLATE STOPPER		
102	2E		G16-0936-08	SHEET		
.			B20-0623-18	SCALE		
LED			SIM-20ST	LED		
TR			RPM-20PB	TRANSISTOR		
R			RK73FB2A471J	CHIP R	470 J	1/10W
MECHANISM ASSY (D14-1515-05)						
203	2A		D10-3606-08	ROD		
204	1B		D13-1720-08	GEAR		
206	3B		S74-0038-08	LEAF SWITCH		
208	3B		E40-3264-05	PIN ASSY		
DM	1B		A11-1082-18	SUB CHASSIS ASSY		
FM	2B		T42-0817-08	MOTOR ASSY		
PU	1A		T25-0061-08	OPTICAL PICKUP		

L : Scandinavia

Y : PX(Far East,Hawaii)

Y : AAFES(Europe)

K : USA

T : England

X : Australia

P : Canada

E : Europe

Q : Russia

R : Mexico

G : Germany

H : Korea

C : China

V : China(Shanghai)

M : Other Areas

I : Malaysia

Δ indicates safety critical components.

SPECIFICATIONS

[Format]

System Compact disc digital audio system
Laser Semiconductor laser

Channel separation More than 92 dB (at 1 KHz)
Wow & flutter Unmeasurable Limit
Output level/impedance

[D/A Convertors]

D/A Conversion 1 Bit
Oversampling 8 fs (352.8 KHz)

Fixed 2.0 V/0.9 KΩ
Digital output 2.0 V/0.9 KΩ
Optical —15dBm —21dBm (Wave length 660 nm)

[Audio]

Frequency response 4 Hz ~ 20 KHz, — 0.5 dB
Signal to noise ratio More than 97 dB
Dynamic range More than 94 dB
Total harmonic distortion + noise Less than 0.005% (at 1 KHz)

[General]

Power consumption 14 W
Dimensions W : 481 mm (17-5/16")
H : 162.5 mm (6-1/5/16")
D : 479 mm (18-7/8")
Weight (Net) 9.0 kg (19.8 lb)



1. KENWOOD follows a policy of continuous advancements in development. For this reason specifications may be changed without notice.
2. The full performance may not be exhibited in an extremely cold location (under a water-freezing temperature).

Note:

Component and circuit are subject to modification to insure best operation under differing local conditions. This manual is based on Europe (E) standard, and provides information on regional circuit modification through use of alternate schematic diagrams, and information on regional component variations through use of parts list.

KENWOOD CORPORATION

14-6,Dogenzaka 1-chome, Shibuya-ku, Tokyo, 150-8501 Japan

KENWOOD SERVICE CORPORATION

P.O BOX 22745, 2201 East Dominguez St., Long Beach, CA 90801-5745, U.S.A.